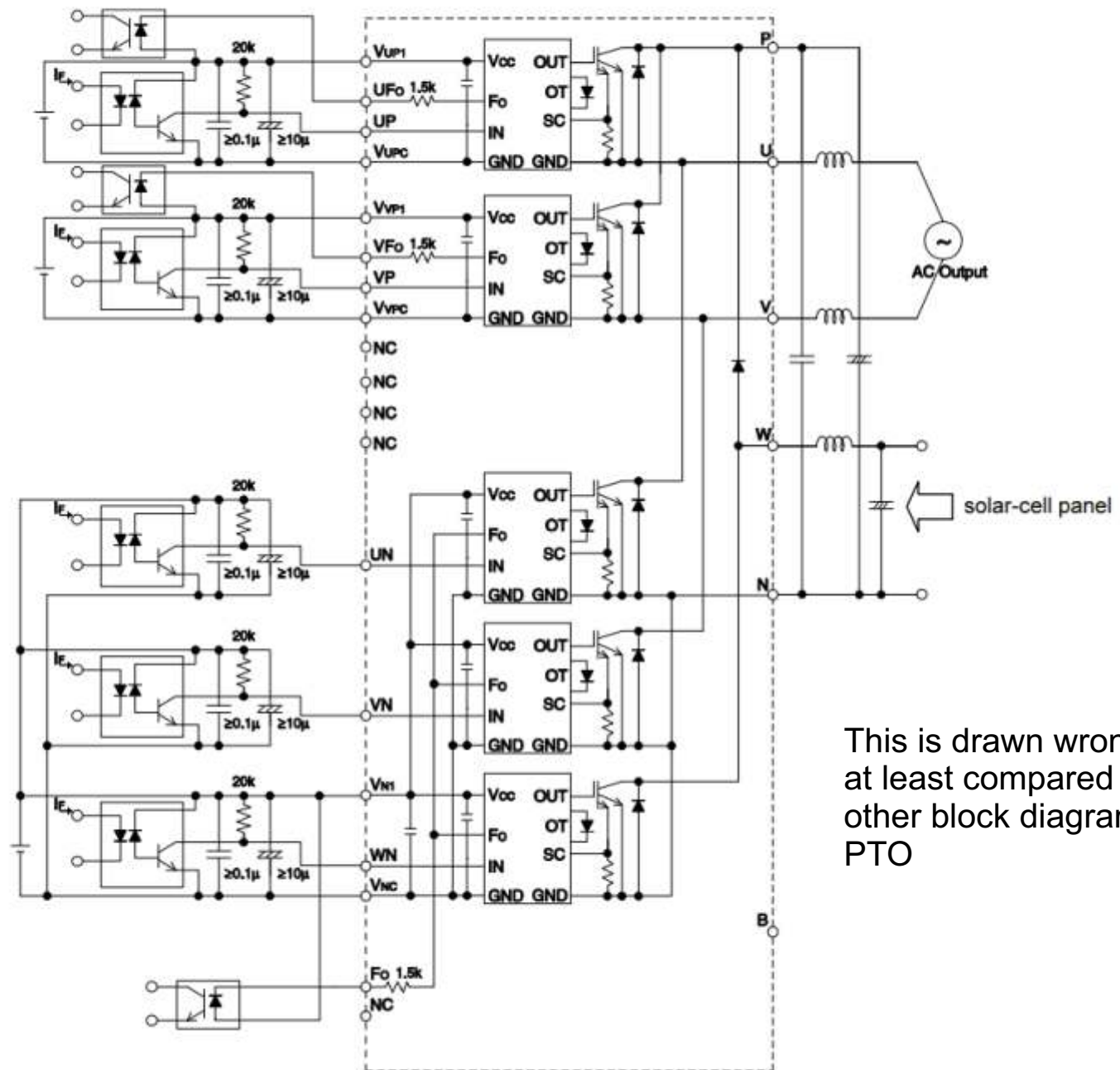


9-1 Applications of PV-IPM to Photo voltaic power generator

(ex. PM50B5LA/LB060, PM75B5LA/LB060)



This is drawn wrong at least compared to other block diagrams PTO

9-1 Applications of PV-IPM to Photo voltaic power generator

(ex. PM50B5LA/LB060, PM75B5LA/LB060)

